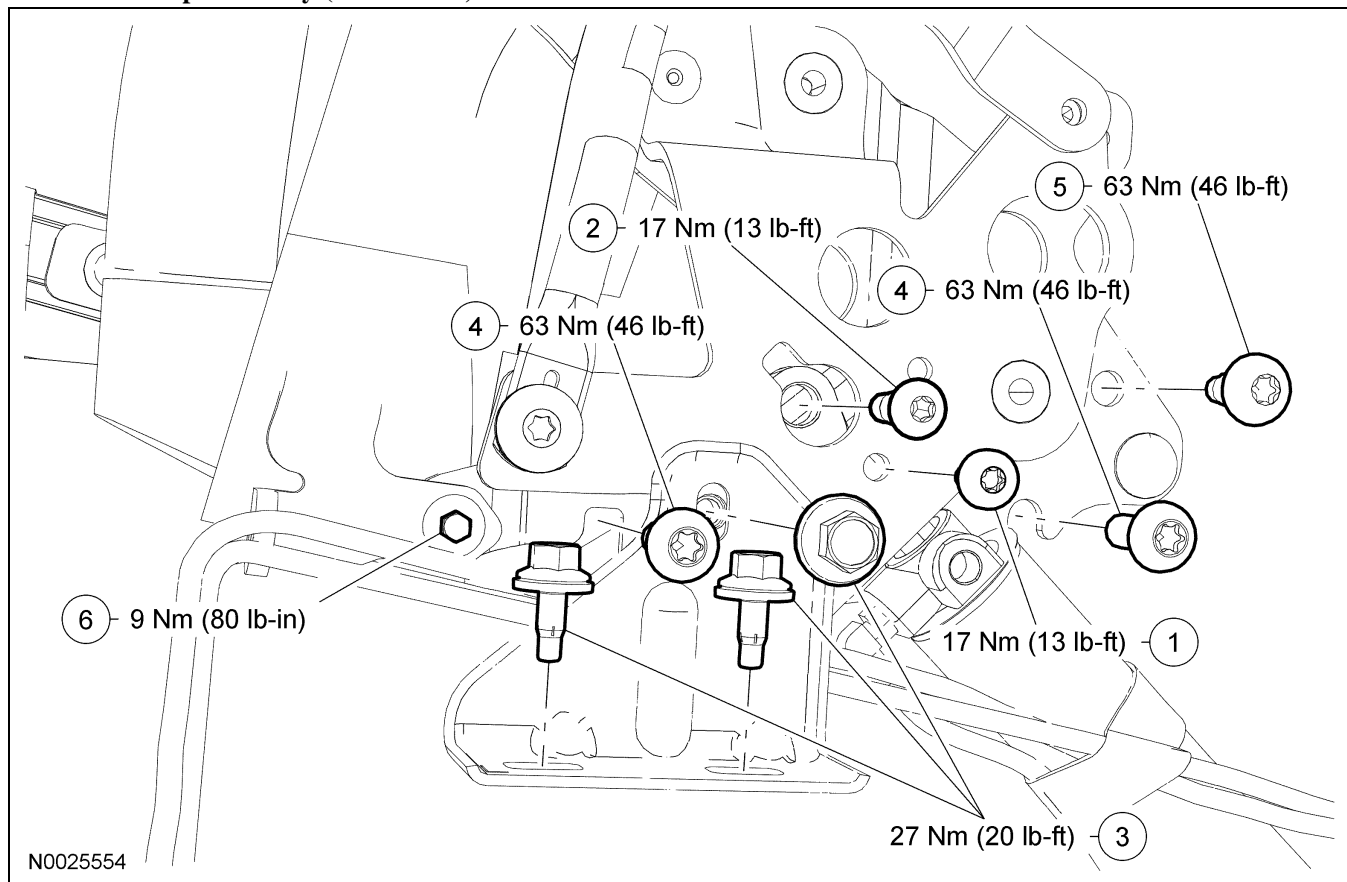


REMOVAL AND INSTALLATION

Convertible Top — Exploded View

Convertible Top Assembly (View 1 of 3)



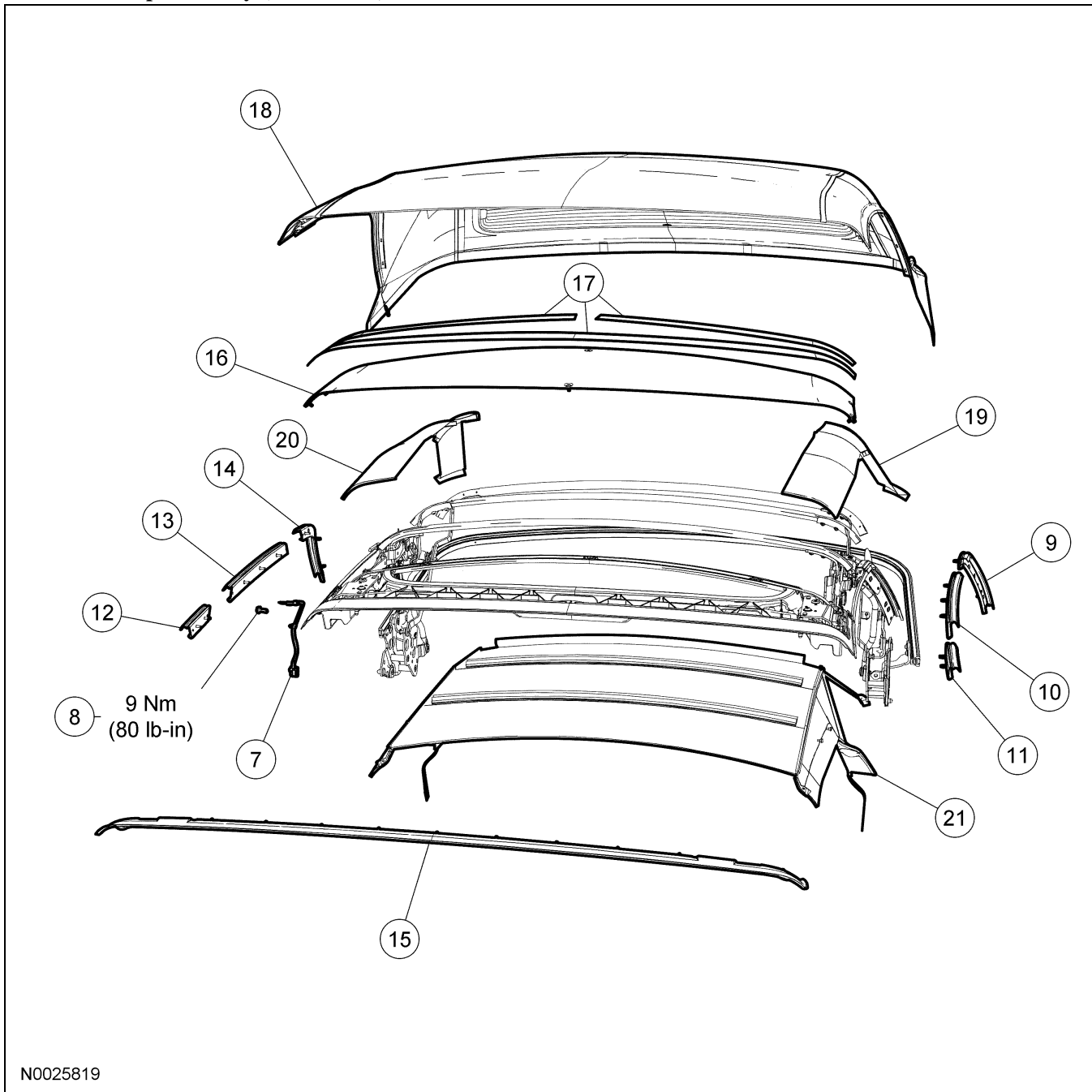
Item	Part Number	Description
1	W505590	Hydraulic lift cylinder bracket bolts (2 required)
2	N808519	Clevis-to-hydraulic lift cylinder rod bolts (2 required)
3	W711423	L-bracket bolts (6 required)
4	W710778	Pivot bracket lower bolts (4 required)

Item	Part Number	Description
5	W711393	Pivot bracket upper bolts (2 required)
6	W506413	Convertible top frame number 5 bow pivot bolts (2 required)

(Continued)

REMOVAL AND INSTALLATION (Continued)

Convertible Top Assembly (View 2 of 3)



N0025819

Item	Part Number	Description
7	14018	Convertible top ajar switch
8	—	Convertible top ajar switch screw
9	7651555	LH rear weatherstrip retainer channel
10	7651561	LH center weatherstrip retainer channel
11	7651543	LH front weatherstrip retainer channel

(Continued)

Item	Part Number	Description
12	7651542	RH front weatherstrip retainer channel
13	7651560	RH center weatherstrip retainer channel
14	7651554	RH rear weatherstrip retainer channel
15	76514A34	Compression panel
16	—	Header form panel (part of 7653038)

(Continued)

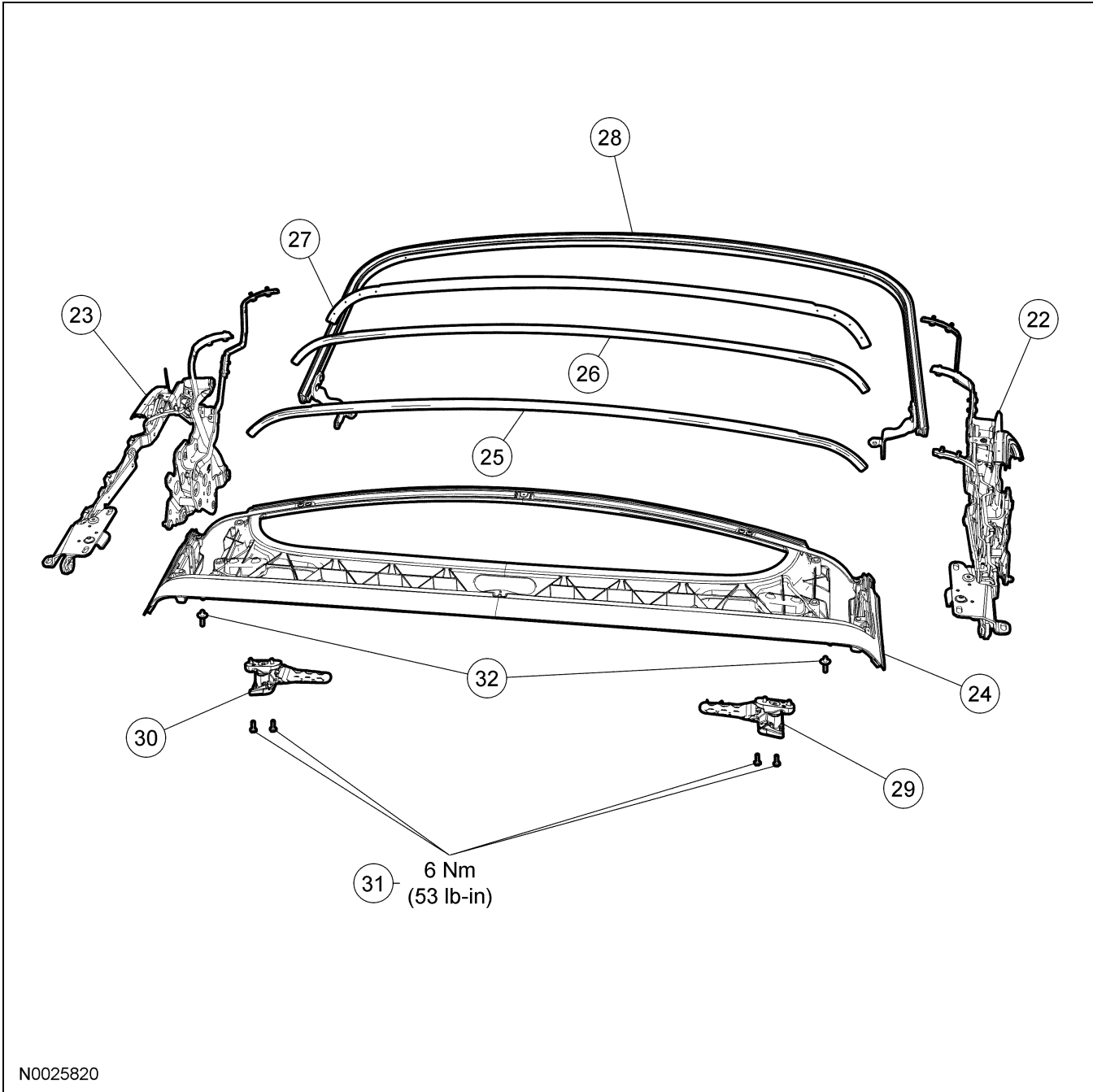
REMOVAL AND INSTALLATION (Continued)

Item	Part Number	Description
17	—	Double-sided tape
18	7652700	Top cover assembly
19	7654212	LH stay pad

Item	Part Number	Description
20	7654213	RH stay pad
21	7651916	Convertible top headliner

(Continued)

Convertible Top Assembly (View 3 of 3)



N0025820

REMOVAL AND INSTALLATION (Continued)

Item	Part Number	Description
22	7653105	Convertible top frame LH side rail
23	7653104	Convertible top frame RH side rail
24	7653024	Convertible top frame number 1 bow
25	7651274	Convertible top frame number 2 bow
26	7651269	Convertible top frame number 3 bow
27	7652178	Convertible top frame number 4 bow

(Continued)

Item	Part Number	Description
28	7652188	Convertible top frame number 5 bow
29	7650508-B	LH convertible top latch
30	7650508-A	RH convertible top latch
31	—	Convertible top latch screws (4 required)
32	76514A38	Dowel pins (2 required)

1. For additional information, refer to the procedures in this section.