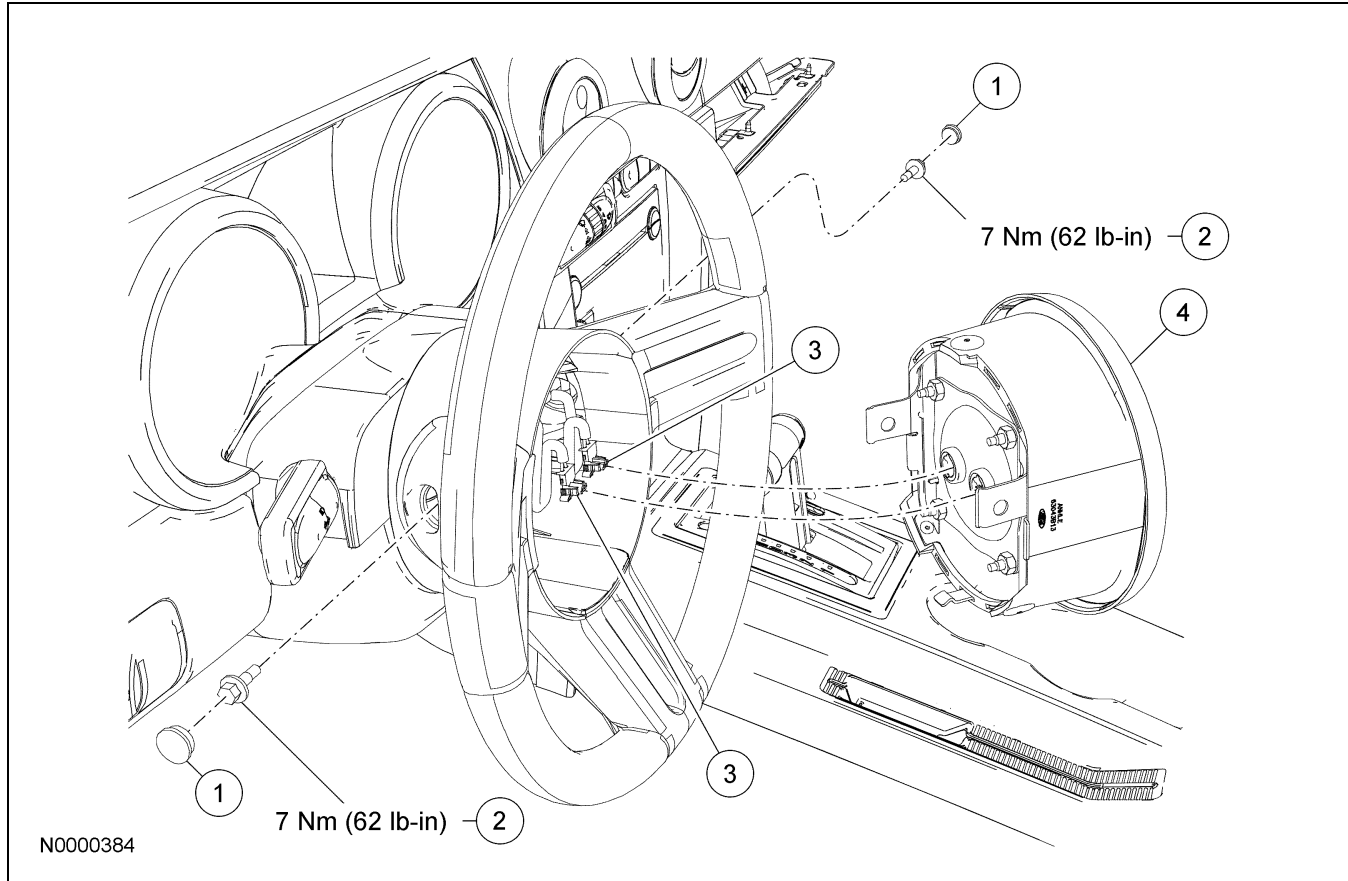


REMOVAL AND INSTALLATION

Driver Air Bag Module



Item	Part Number	Description
1	3L518	Driver air bag module bolt caps
2	W506411	Driver air bag module bolts
3	—	Driver air bag module electrical connectors (part of 14A664)
4	043B13	Driver air bag module

Removal

⚠ WARNING: Always wear safety glasses when repairing an air bag supplemental restraint system (SRS) vehicle and when handling an air bag module. This will reduce the risk of injury in the event of an accidental deployment.

⚠ WARNING: Carry a live air bag module with the air bag and trim cover pointed away from your body. This will reduce the risk of injury in the event of an accidental deployment.

⚠ WARNING: Do not set a live air bag module down with the trim cover face down. This will reduce the risk of injury in the event of an accidental deployment.

⚠ WARNING: After deployment, the air bag surface can contain deposits of sodium hydroxide, a product of the gas generant combustion that is irritating to the skin. Wash your hands with soap and water afterwards.

⚠ WARNING: Never probe the connectors on the air bag module. Doing so can result in air bag deployment, which can result in personal injury.

⚠ WARNING: To reduce the risk of personal injury, do not use any memory saver devices.

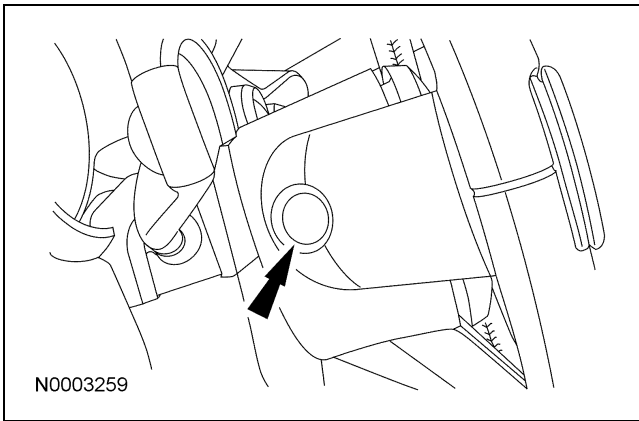
NOTE: The air bag warning lamp illuminates when the RCM fuse is removed and the ignition switch is ON. This is normal operation and does not indicate a supplemental restraint system (SRS) fault.

REMOVAL AND INSTALLATION (Continued)

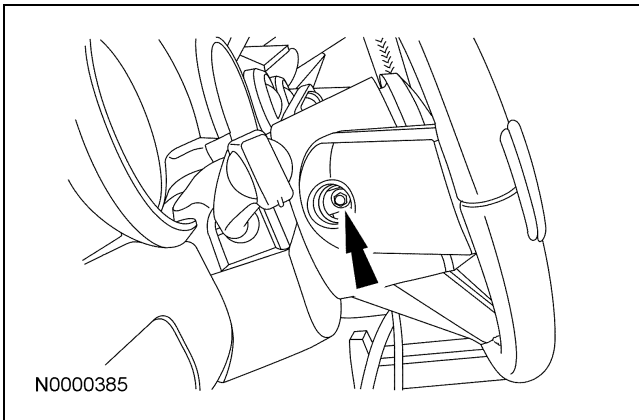
NOTE: The SRS must be fully operational and free of faults before releasing the vehicle to the customer.

NOTE: Repair is made by installing a new part only. If the new part does not correct the condition, install the original part and carry out the diagnostic procedure again.

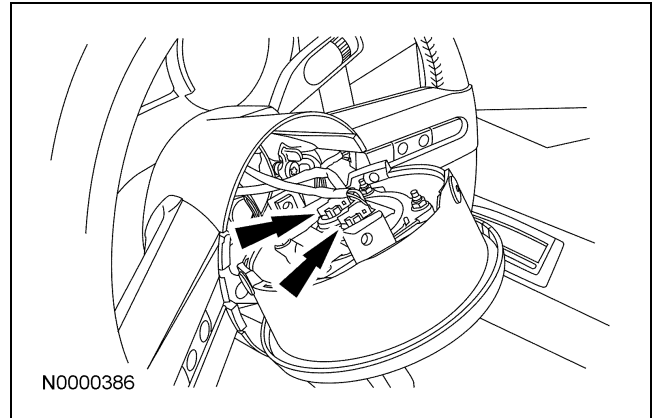
1. Depower the system. For additional information, refer to Supplemental Restraint System (SRS) Depowering and Repowering in the General Procedures portion of this section.
2. Remove the 2 driver air bag module bolt caps from the steering wheel (1 shown).



3. Remove the 2 driver air bag module bolts (1 shown).
 - To install, tighten to 7 Nm (62 lb-in).



4. Disconnect the 2 driver air bag module electrical connectors.



5. Remove the drivers air bag module.
6. **⚠ CAUTION: The clockspring electrical connectors are unique and cannot be reversed when connected to the driver air bag module. Match the electrical connector key to the keyway in the driver air bag module. Do not force the electrical connectors into the driver air bag module. To install, reverse the removal procedure.**
7. Repower the system. For additional information, refer to Supplemental Restraint System (SRS) Depowering and Repowering in the General Procedures portion of this section.