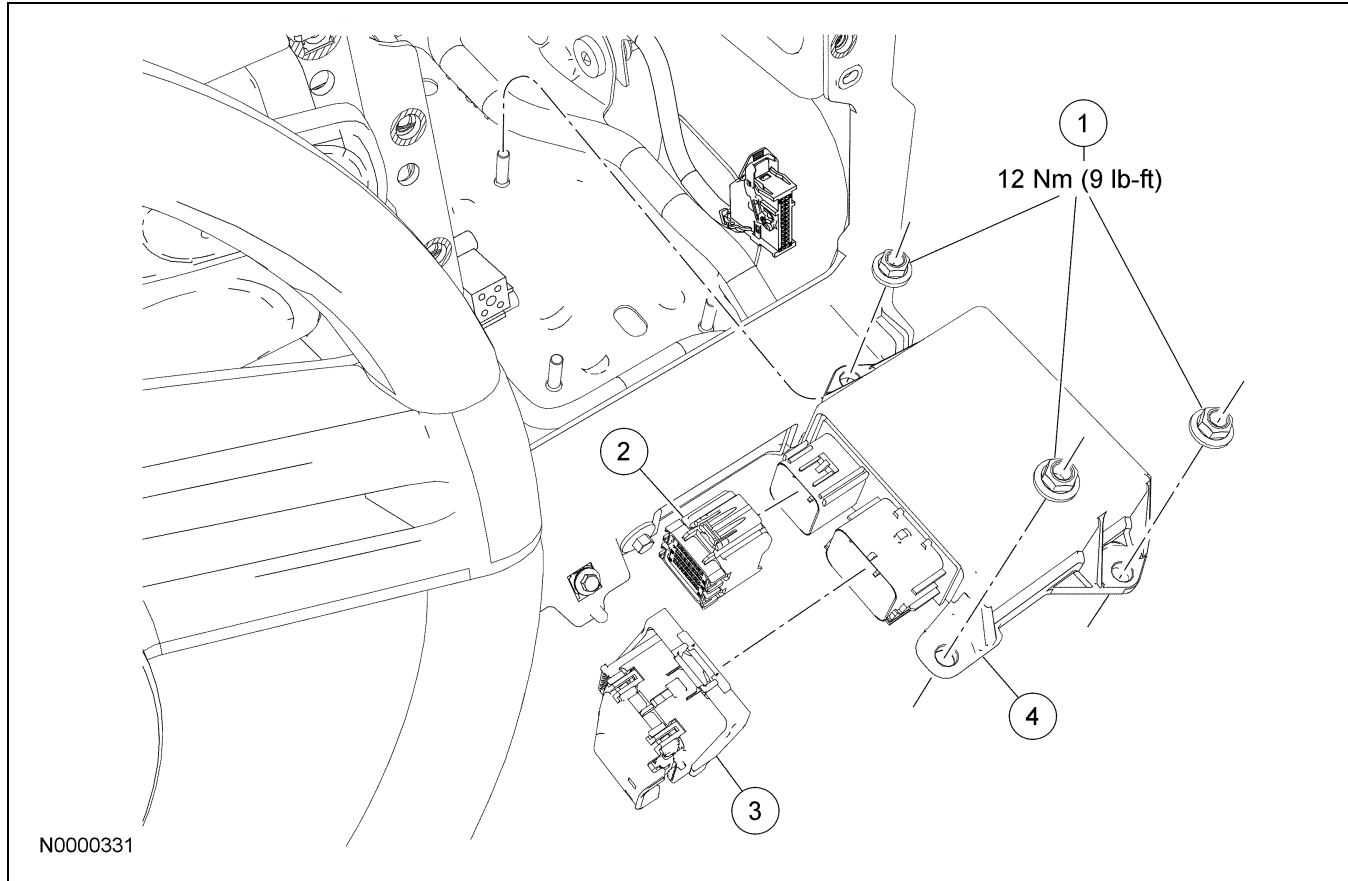


REMOVAL AND INSTALLATION

Restraints Control Module (RCM)



Item	Part Number	Description
1	W701838	Restraints control module (RCM) nuts
2	—	RCM small connector (part of 14401)
3	—	RCM large connector (part of 14A005)
4	14B321	RCM

Removal

⚠ WARNING: Always wear safety glasses when repairing an air bag supplemental restraint system (SRS) vehicle and when handling an air bag module. This will reduce the risk of injury in the event of an accidental deployment.

⚠ WARNING: The restraints control module (RCM) orientation is critical for correct air bag supplemental restraint system (SRS) operation. If a vehicle equipped with an SRS system has been involved in a collision in which the center tunnel area has been damaged, inspect the mounting and bracket for deformation. If damaged, the RCM must be replaced whether or not the air bags have deployed. In addition, make sure the area of the RCM is restored to its original condition.

⚠ WARNING: To reduce the risk of personal injury, do not use any memory saver devices.

REMOVAL AND INSTALLATION (Continued)

⚠ CAUTION: Electronic modules are sensitive to static electrical charges. If exposed to these charges, damage can result.

NOTE: When installing a new restraints control module (RCM), always make sure the correct RCM is being installed. If an incorrect RCM is installed, erroneous DTCs will result.

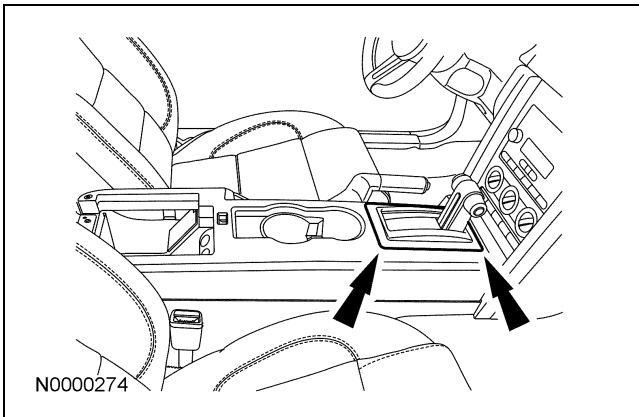
NOTE: The air bag warning lamp illuminates when the RCM fuse is removed and the ignition switch is ON. This is normal operation and does not indicate a supplemental restraint system (SRS) fault.

NOTE: The SRS must be fully operational and free of faults before releasing the vehicle to the customer.

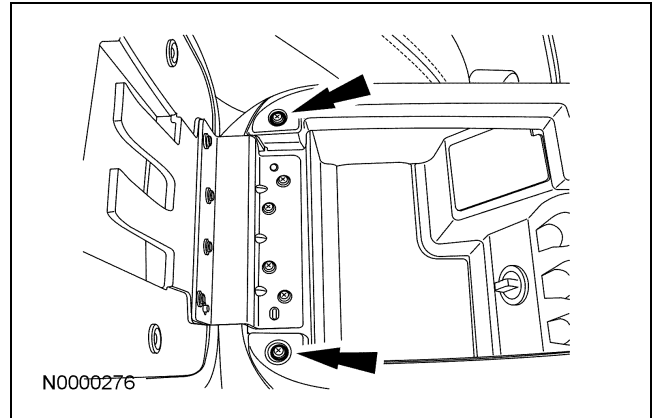
NOTE: Repair is made by installing a new part only. If the new part does not correct the condition, install the original part and carry out the diagnostic procedure again.

NOTE: Radio is removed for clarity.

1. Depower the system. For additional information, refer to Supplemental Restraint System (SRS) Depowering and Repowering in the General Procedures portion of this section.
2. Remove the console shifter bezel.

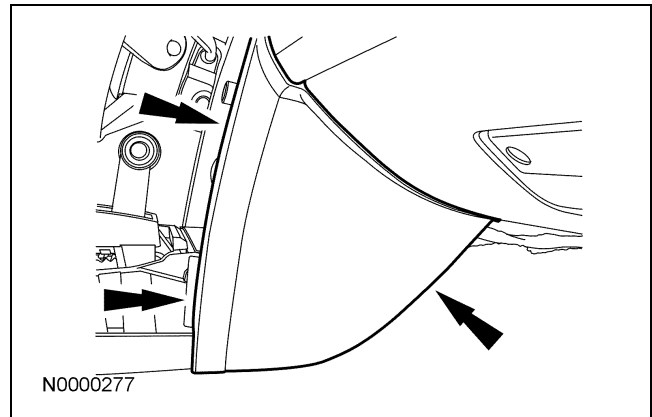


3. Remove the 2 screws and the center console top finish panel.



4. **NOTE:** Passenger side center console kick panel shown, driver side similar.

Remove the driver and passenger center console kick panels.



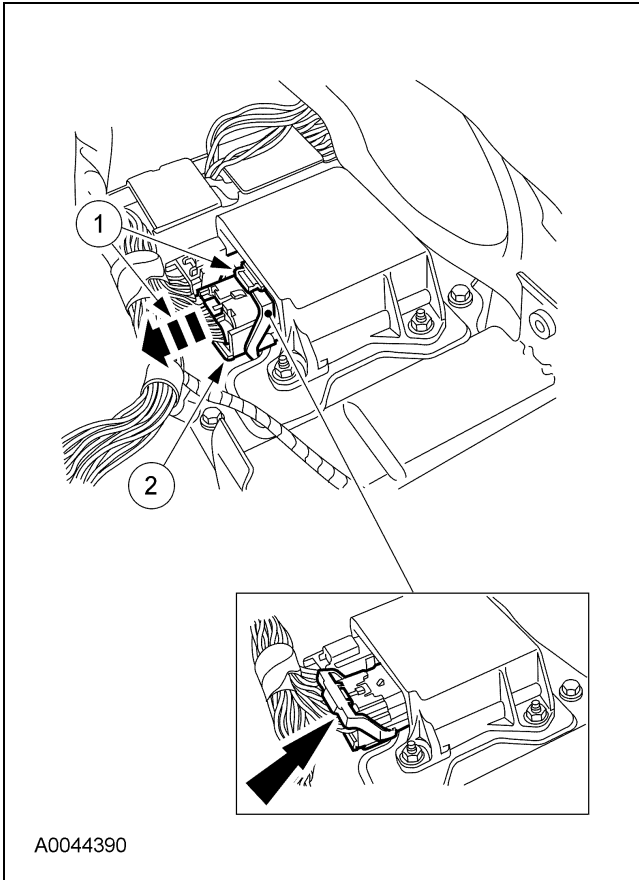
5. Remove the 6 screws and position out the center instrument panel finish panel.
6. Disconnect the electrical connectors and remove the center instrument panel finish panel.

REMOVAL AND INSTALLATION (Continued)

7. **NOTE:** A similar RCM and connectors are shown.

Disconnect the large restraint control module (RCM) electrical connector.

- 1 Pinch the thumb tab and pivot the connector position assurance lever all the way back until it stops.
- 2 Pull out and disconnect the large RCM electrical connector.



8. Disconnect the small RCM electrical connector.
9. Remove the 3 nuts and the RCM.

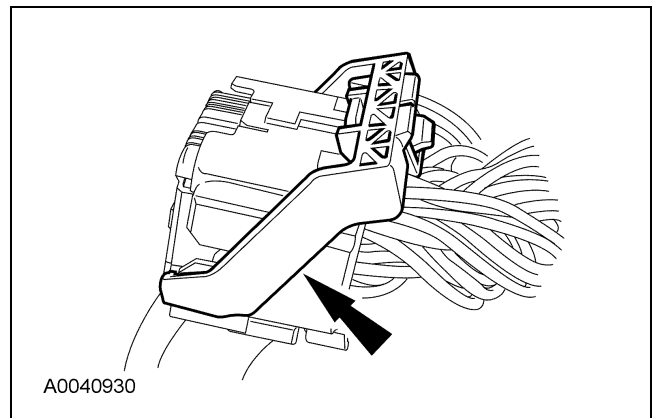
Installation

1. **⚠ WARNING: The tightening torque of the air bag restraints control module (RCM) retaining nuts is critical for correct system operation.**


Position the RCM and install the nuts.


- To install, tighten to 12 Nm (9 lb-ft)

2. Connect the small RCM electrical connector.
3. Make sure the large RCM connector position assurance lever is in the full RELEASE position before attempting to connect the connector.



REMOVAL AND INSTALLATION (Continued)

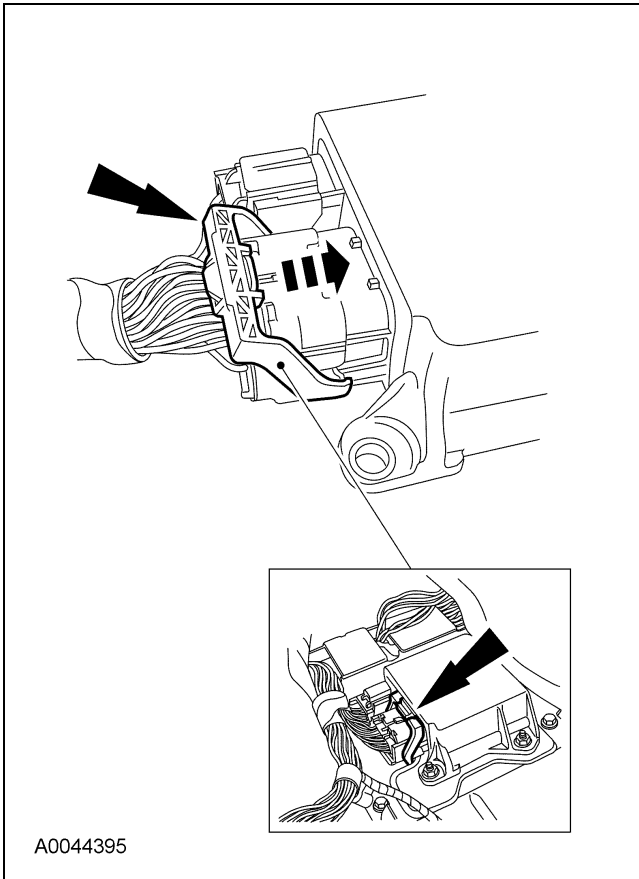
4.  **CAUTION:** Putting the large RCM electrical wiring connector into the RCM on an angle can cause bad electrical connections and damage components.

 **CAUTION:** Do not push the connector to where the lever pivots and seats itself. Light pressure is needed to get the connector into position on the RCM before using the lever to fully seat the connector.

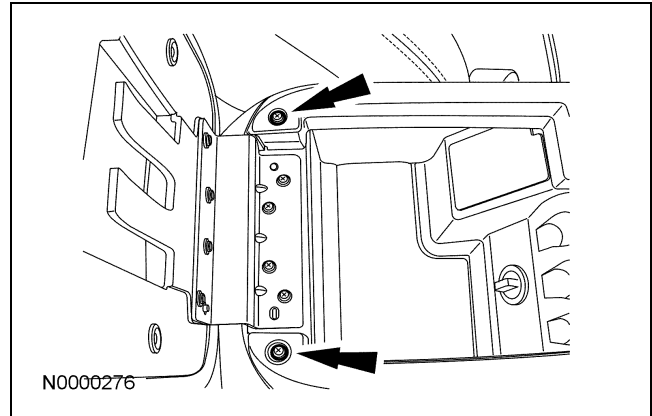
NOTE: A similar RCM and connectors are shown.

Connect the large RCM electrical wiring connector.

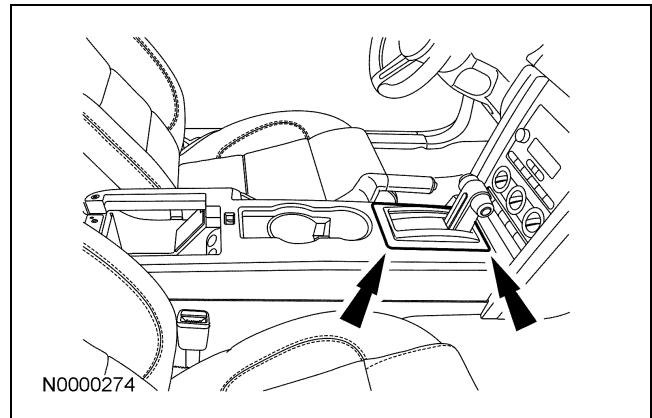
- Using the connector position assurance lever, pivot it toward the RCM, drawing the connector into the RCM.
 - Make sure the thumb tab is engaged to the retainer on the RCM and locked in place.



5. Connect the electrical connectors and install the center instrument panel finish panel and the 6 screws.
6. Install the driver and passenger center console kick panels.
7. Install the center console top finish panel and the 2 screws.



8. Install the console shifter bezel.



9. Repower the system. For additional information, refer to Supplemental Restraint System (SRS) Depowering and Repowering in the General Procedures portion of this section.