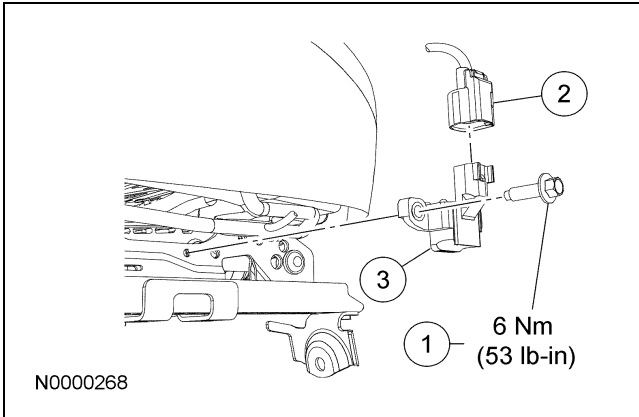


REMOVAL AND INSTALLATION

Seat Position Sensor



Item	Part Number	Description
1	—	Seat position sensor bolt
2	—	Seat position sensor electrical connector (part of 14A699)
3	14B416	Seat position sensor

⚠ WARNING: Always wear safety glasses when repairing an air bag supplemental restraint system (SRS) vehicle and when handling an air bag module. This will reduce the risk of injury in the event of an accidental deployment.

⚠ WARNING: To reduce the risk of personal injury, do not use any memory saver devices.

NOTE: If a seat equipped with a supplemental restraint system (SRS) component is being serviced, the SRS must be depowered.

NOTE: The air bag warning lamp illuminates when the RCM fuse is removed and the ignition switch is ON. This is normal operation and does not indicate a SRS fault.

NOTE: The SRS must be fully operational and free of faults before releasing the vehicle to the customer.

NOTE: Repair is made by installing a new part only. If the new part does not correct the condition, install the original part and carry out the diagnostic procedure again.

NOTE: Power seat track seat position sensor shown, manual seat track position sensor similar.

1. Position the front seat to the rearmost and UPWARD position.
2. Depower the system. For additional information, refer to Supplemental Restraint System (SRS) Depowering and Repowering in the General Procedures portion of this section.
3. Disconnect the seat position sensor electrical connector.
4. **⚠ WARNING:** The tightening torque of the seat position sensor retaining bolt is critical for correct system operation.
NOTE: Note the position of the seat position sensor locating tab for installation.
Remove the bolt and the seat position sensor.
 - To install, tighten to 6 Nm (53 ft-in).
5. To install, reverse the removal procedure.
6. Repower the system. For additional information, refer to Supplemental Restraint System (SRS) Depowering and Repowering in the General Procedures portion of this section.