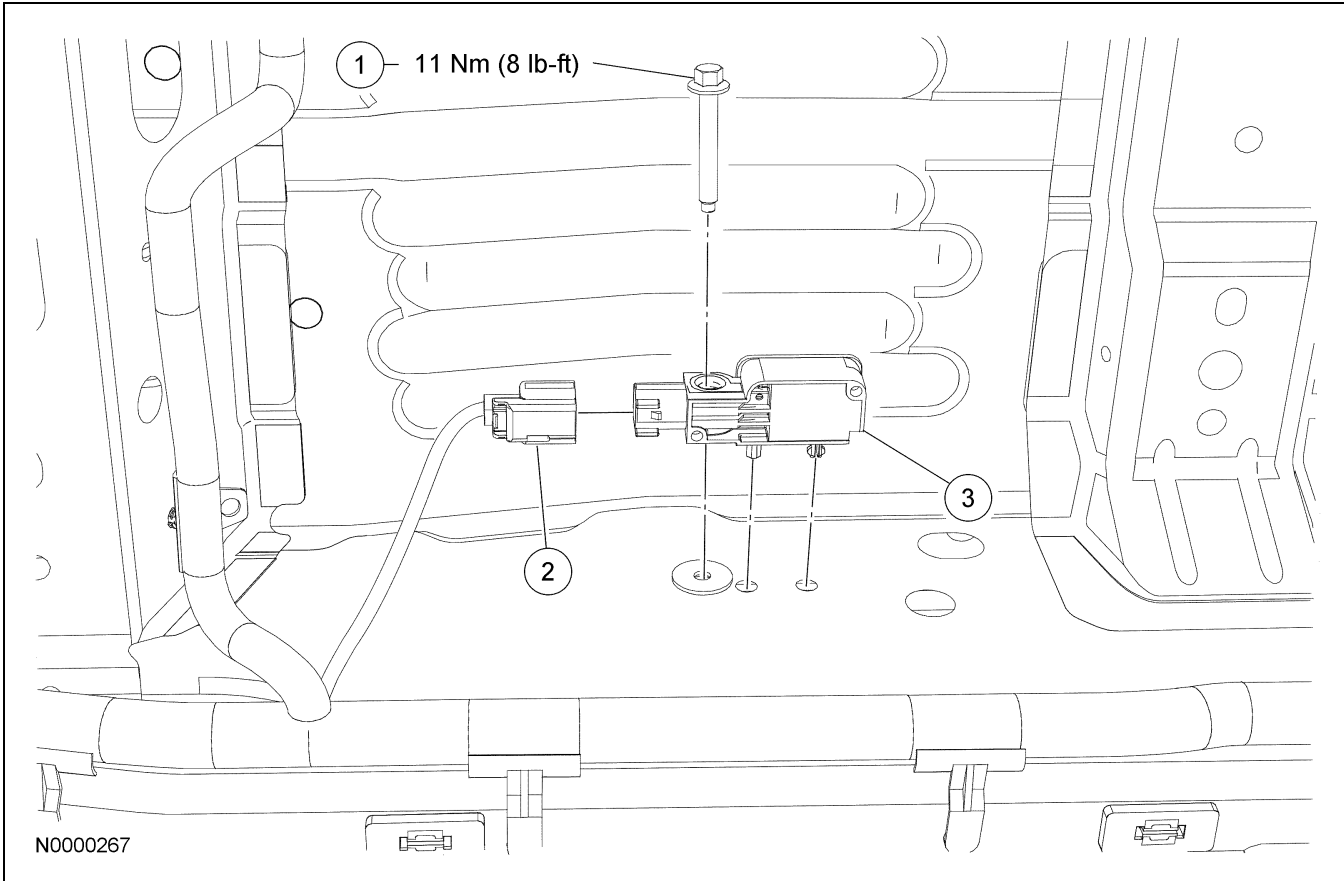


## REMOVAL AND INSTALLATION

### Side Impact Sensor



| Item | Part Number | Description  |
|------|-------------|--|
| 1    | —           | Side impact sensor bolt (part of 14B345)                 |
| 2    | —           | Side impact sensor electrical connector (part of 14A005) |
| 3    | 14B345      | Side impact sensor                                       |

#### Removal and Installation

**⚠ WARNING:** Always wear safety glasses when repairing an air bag supplemental restraint system (SRS) vehicle and when handling an air bag module. This will reduce the risk of injury in the event of an accidental deployment.

**⚠ WARNING:** Vehicle sensor orientation is critical for proper system operation. If a vehicle equipped with an air bag supplemental restraint system (SRS) is involved in a collision, inspect the sensor mounting bracket and wiring pigtail for deformation. Replace and properly position the sensor or any other damaged supplemental restraint system (SRS) components whether or not the air bag is deployed.

**⚠ WARNING:** To reduce the risk of personal injury, do not use any memory saver devices.

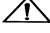
**REMOVAL AND INSTALLATION (Continued)**

**NOTE:** The air bag warning lamp illuminates when the RCM fuse is removed and the ignition switch is ON. This is normal operation and does not indicate a supplemental restraint system (SRS) fault.

**NOTE:** The SRS must be fully operational and free of faults before releasing the vehicle to the customer.

**NOTE:** Repair is made by installing a new part only. If the new part does not correct the condition, install the original part and carry out the diagnostic procedure again.

**NOTE:** Driver side shown, passenger side similar.

1. Depower the system. For additional information, refer to Supplemental Restraint System (SRS) Depowering and Repowering in the General Procedures portion of this section.
2. Remove the door scuff plate. For additional information, refer to Section 501-05.
3. Position back the carpet.
4. Disconnect the side impact sensor electrical connector.
5.  **WARNING: The tightening torque of the side impact sensor retaining bolt is critical for correct system operation.**  
**NOTE:** Make sure the side impact sensor mating surfaces are clean and free of foreign material.  
**NOTE:** Note the position of the side impact sensor locating tabs for installation.  
 Remove the bolt and the side impact sensor.
  - To install, tighten to 11 Nm (8 lb-ft).
6. To install, reverse the removal procedure.
7. Repower the system. For additional information, refer to Supplemental Restraint System (SRS) Depowering and Repowering in the General Procedures portion of this section.